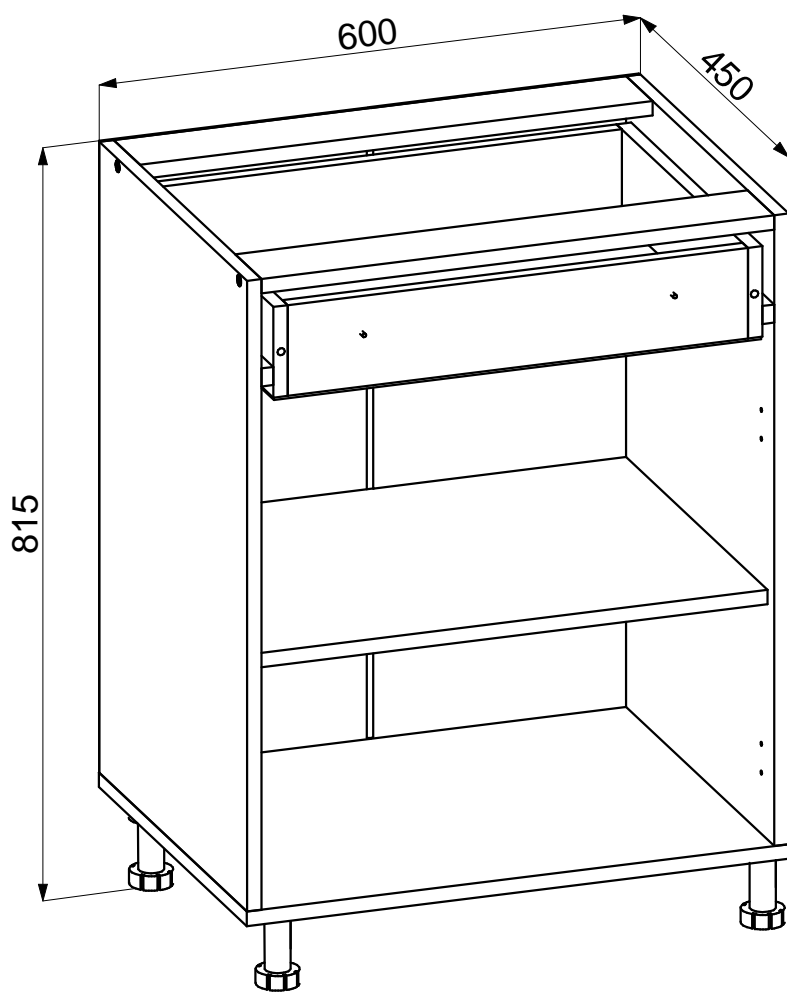







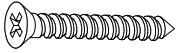
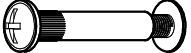
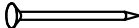
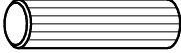
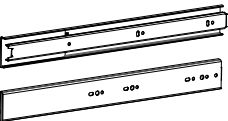

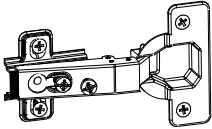
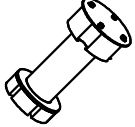
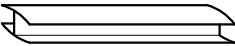


Кухня Денира

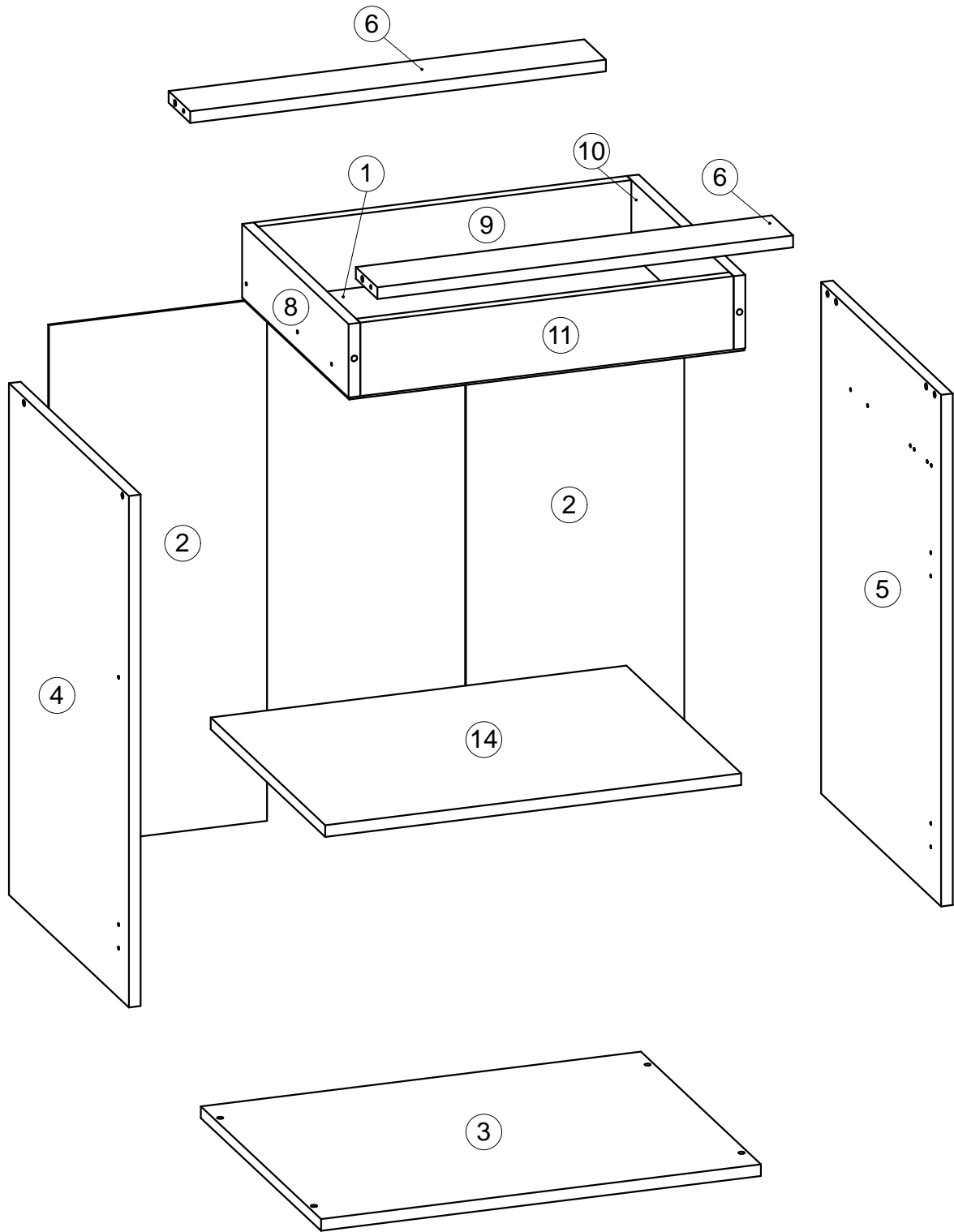
HN№20 (600x715) 1S2D





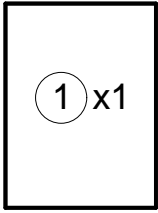


| | | | | |
|--|---|--|---|---|
|  Ø6,3x50 mm A1 x 8 |  Ø12 mm A2 x 8 |  4 mm A3 x 1 |  Ø3x16 mm D1 x 20 |  Ø4x16 mm D2 x 28 |
|  Ø4x30 mm D3 x 6 |  Ø8x30 mm E x 2 |  Ø1,6x25 mm F x 87 |  Ø8x36 mm G x 14 |  K x 1 |
|  Ø5x16 mm L x 4 |  M x 4 |  N x 4 |  682 mm O x 1 |  50g R x 1 |
|  Y x 2 | | | | |
| | | | | |
| | | | | |

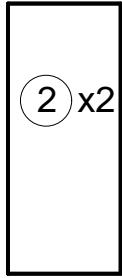


Box

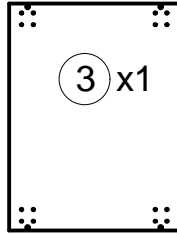
540x398x3 mm



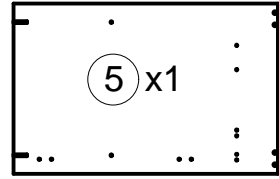
714x298x3 mm



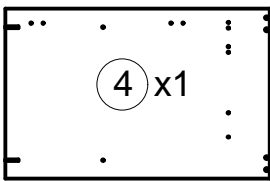
600x450x16 mm



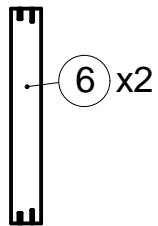
699x450x16mm



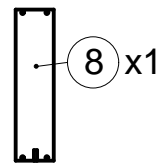
699x450x16 mm



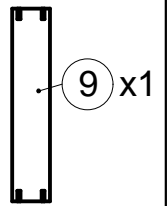
568x80x16 mm



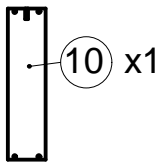
400x100x16 mm



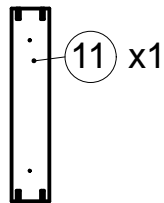
510x100x16 mm



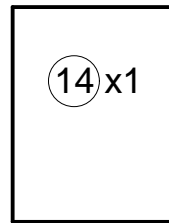
400x100x16 mm



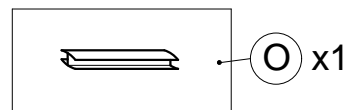
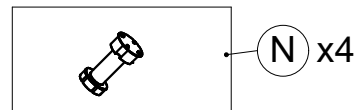
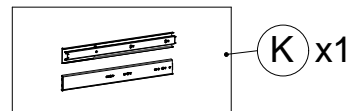
510x100x16 mm



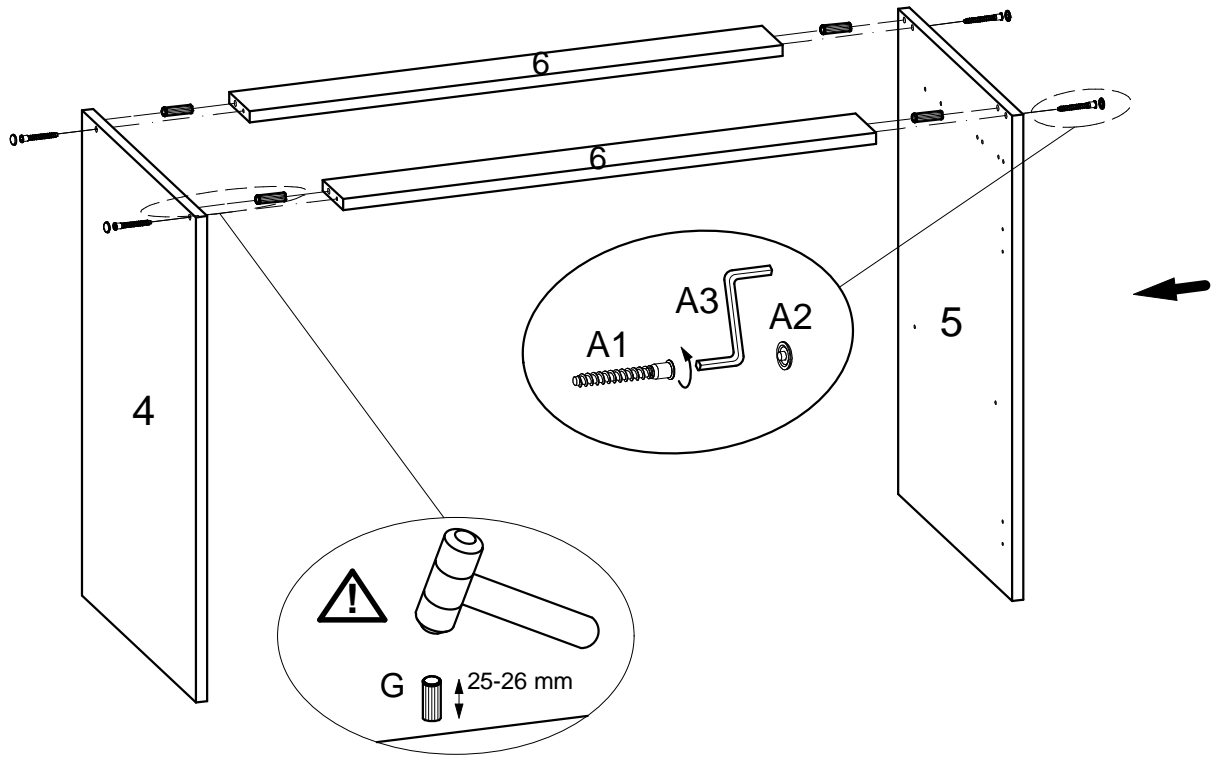
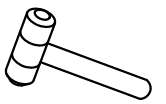
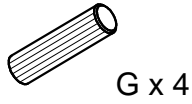
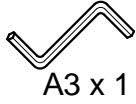
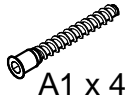
568x430x16 mm



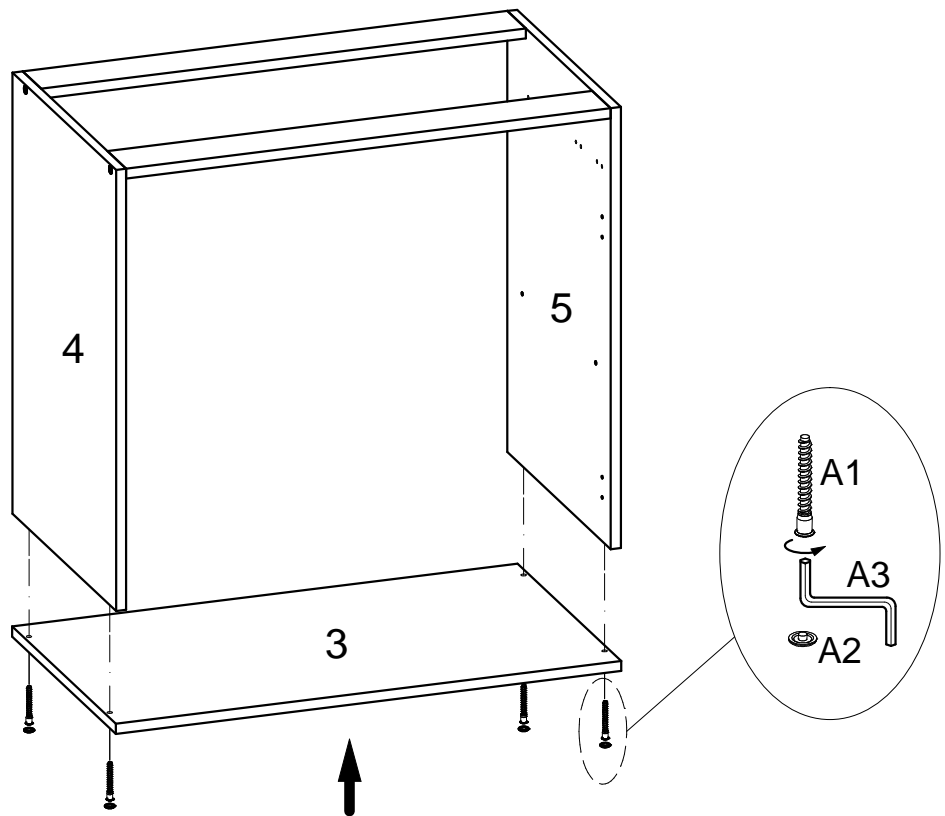
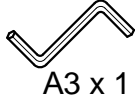
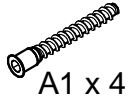
Fittings & Tools



1



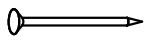
2



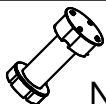
3



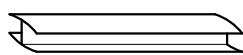
D1 x 16



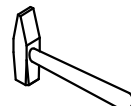
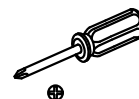
F x 65



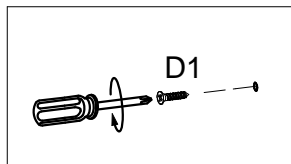
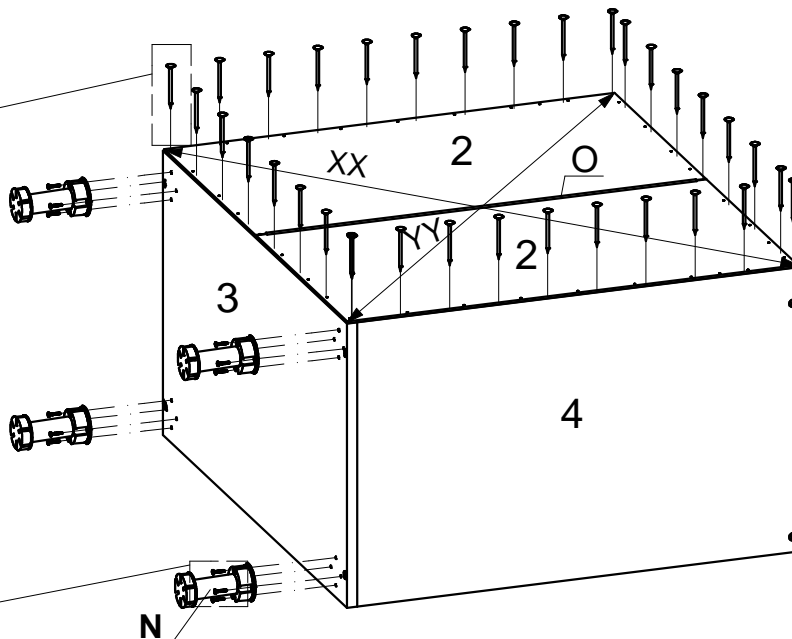
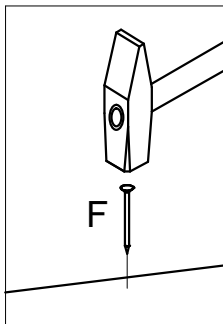
N x 4



O x 1



⚠ XX=YY≅90°



4



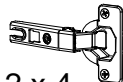
D2 x 22



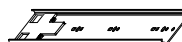
L x 4



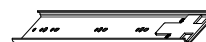
M.1 x 4



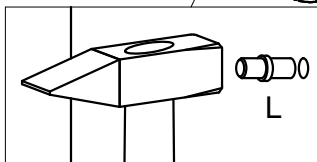
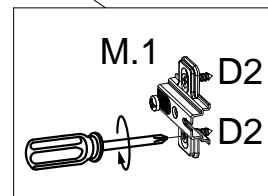
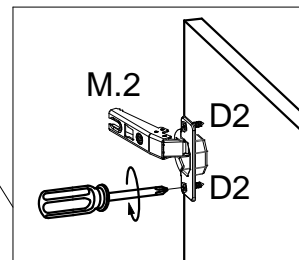
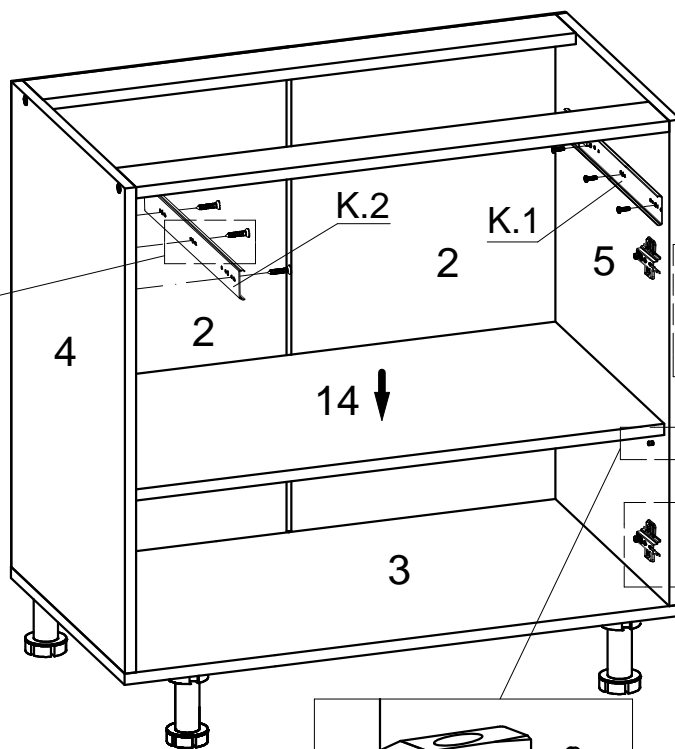
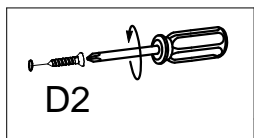
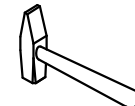
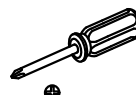
M.2 x 4



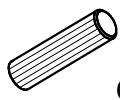
K.1 x 1



K.2 x 1



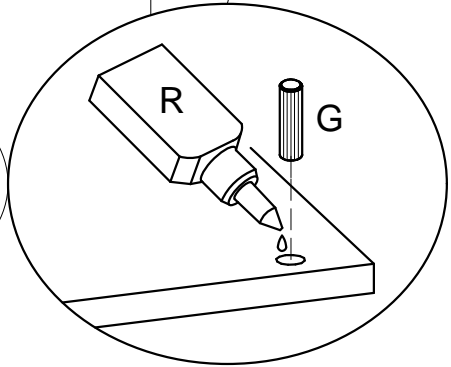
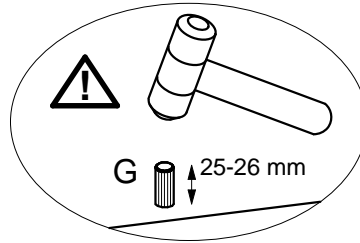
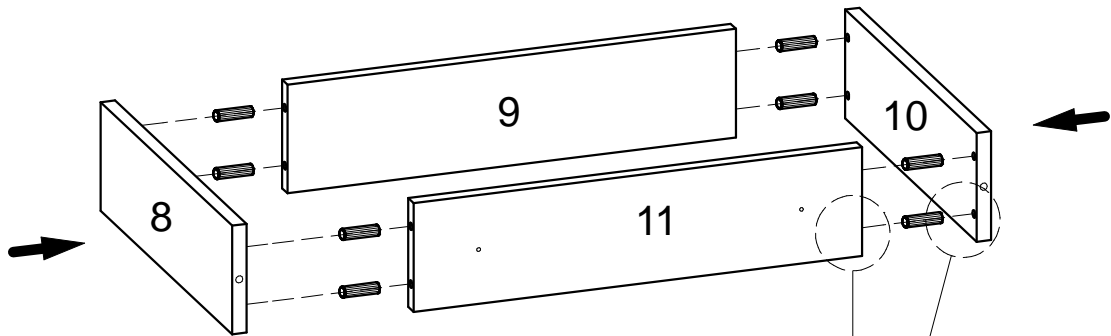
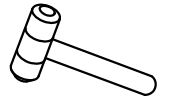
5



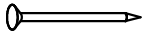
G x 8



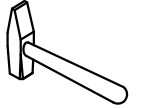
R x 1



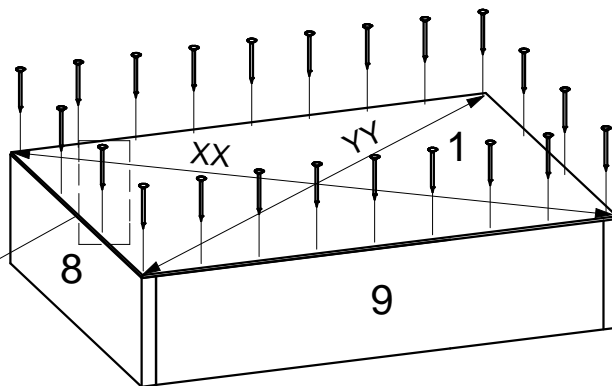
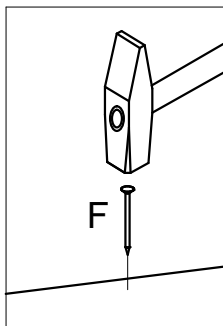
6



F x 22



$XX=YY\cong 90^\circ$



7



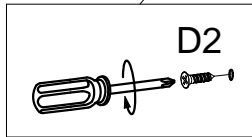
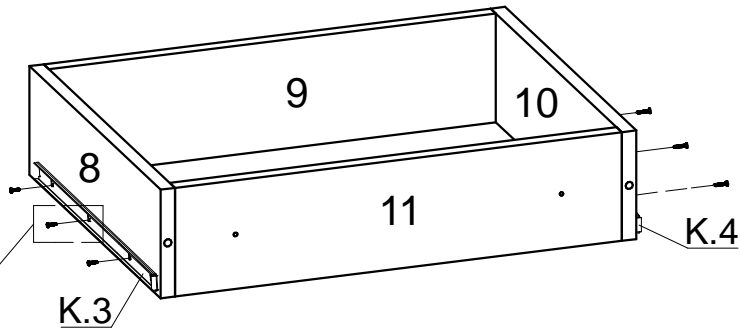
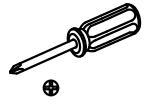
D2 x 6



K.3 x 1



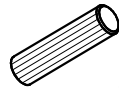
K.4 x 1



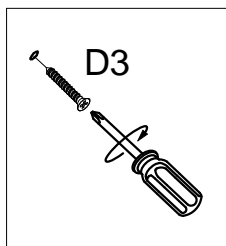
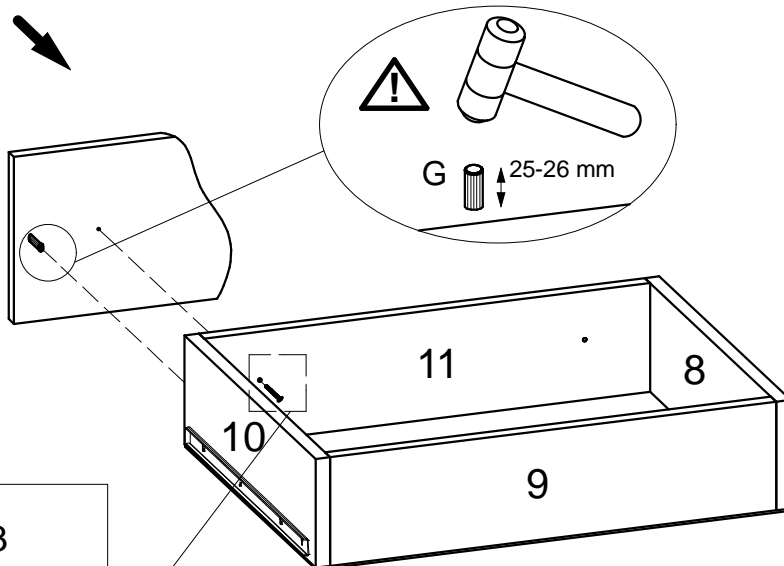
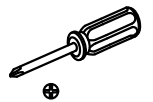
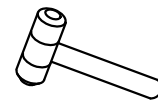
8



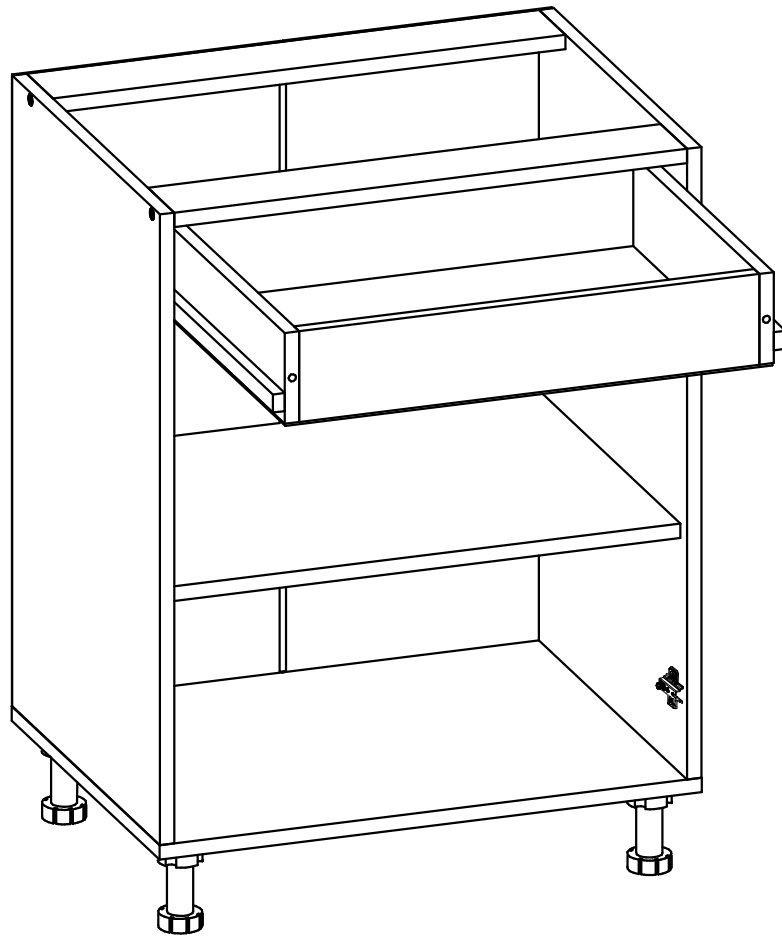
D3 x 2



G x 2



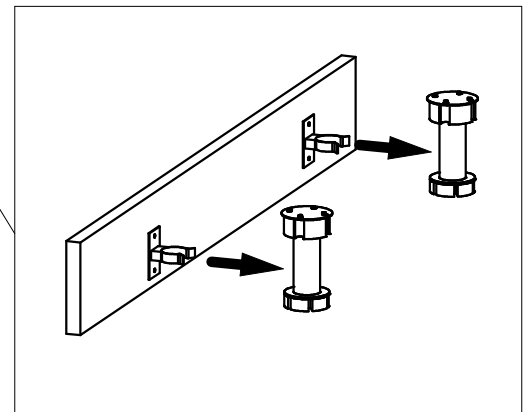
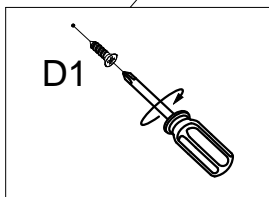
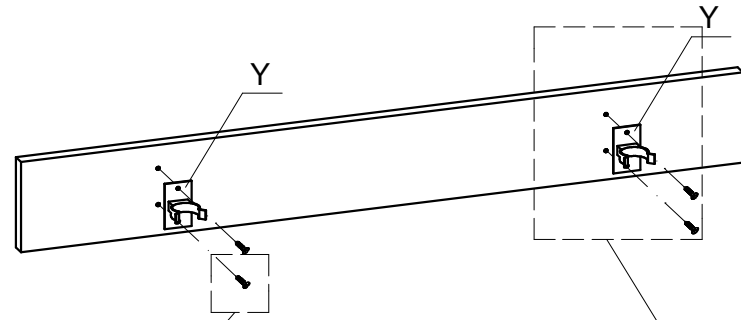
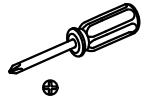
9



10

D1 x 4

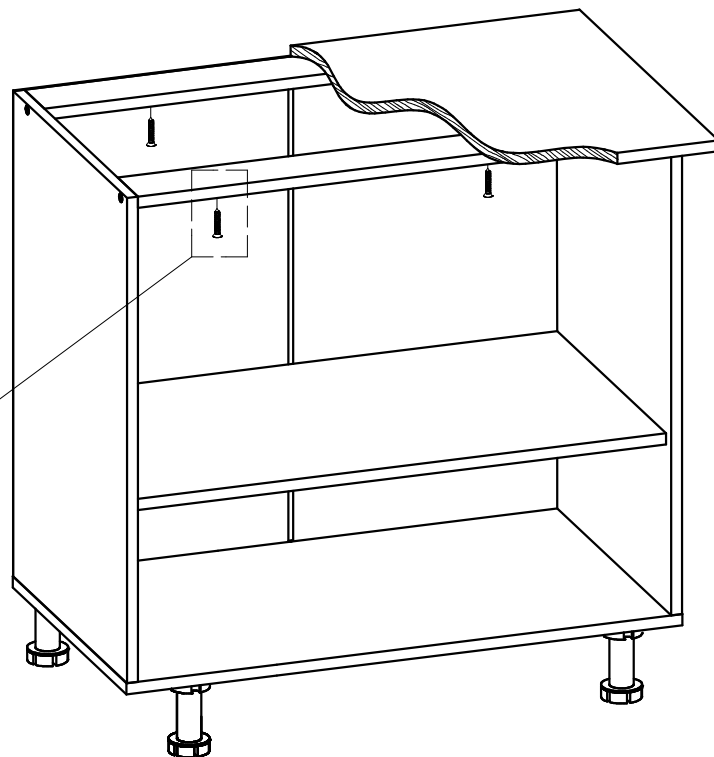
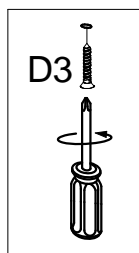
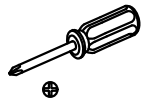
Y x 2



i

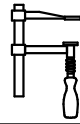


D3 x 4

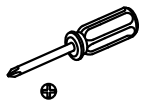
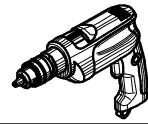




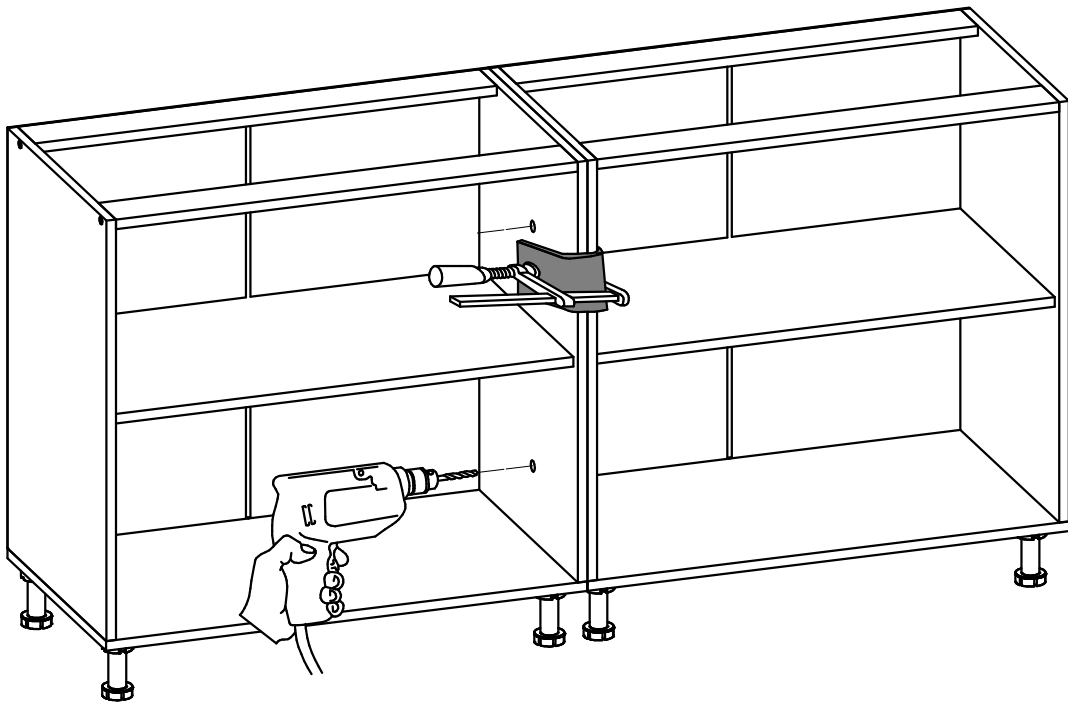
Ex 2



Ø8



1



2

